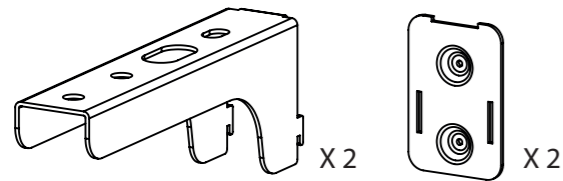
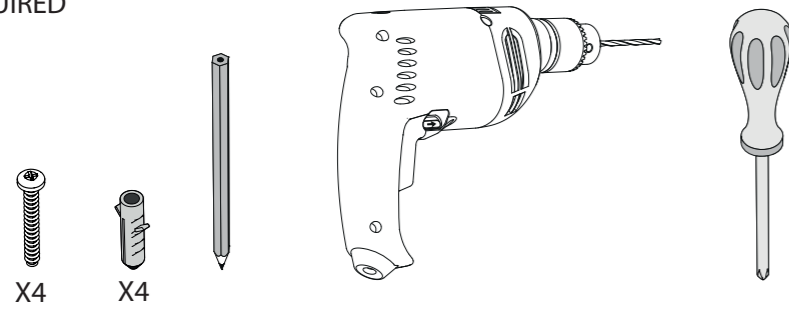


MOUNTING TEMPLATE

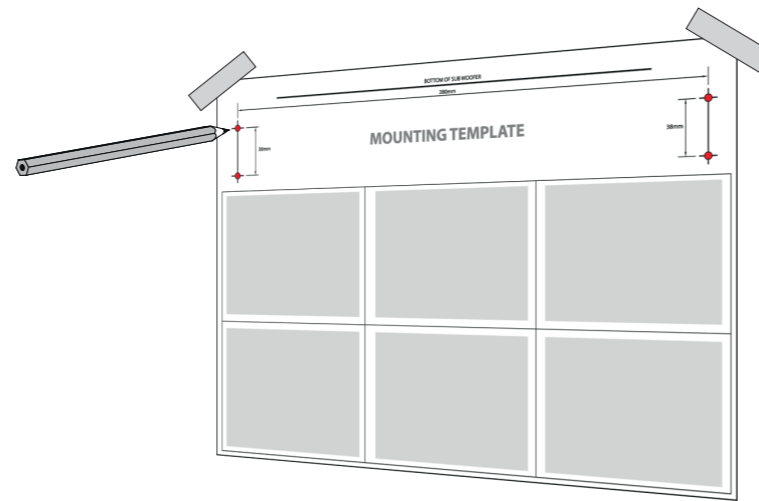
SUPPLIED



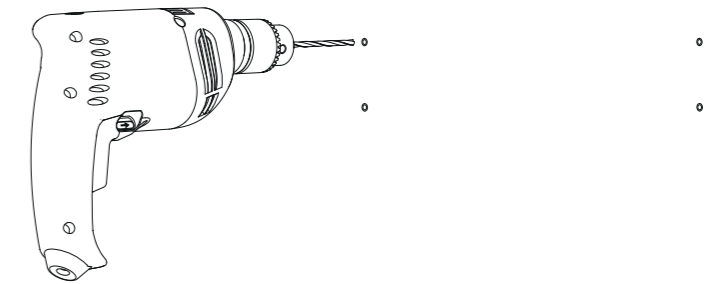
REQUIRED



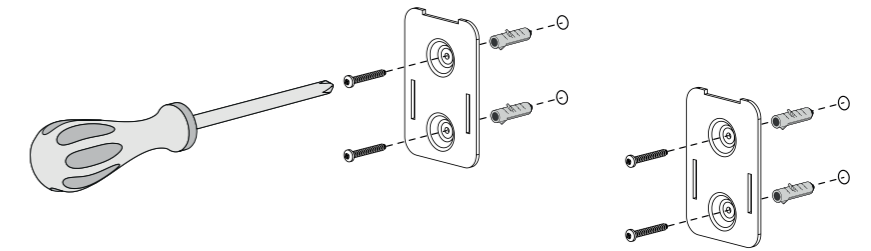
1 Mark 4 x mounting holes using the 'MOUNTING TEMPLATE'!



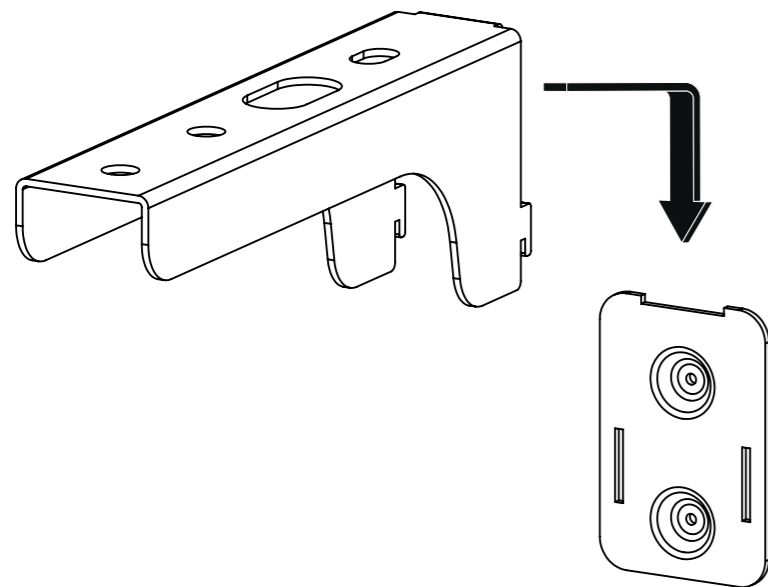
2 Drill 4 x holes



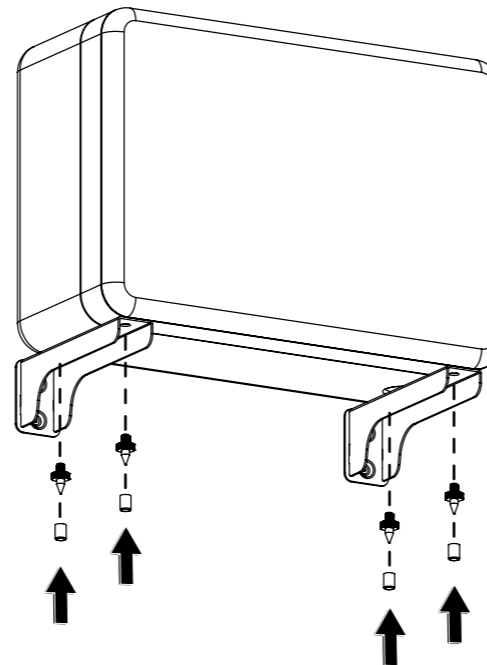
3 Screw bracket to wall



4 Slot arm onto bracket



5 Secure Sub Woofer onto bracket by screwing on feet



IMPORTANT INFORMATION

REFER TO THE Q-ACOUSTICS Q7000i USER MANUAL FOR SPECIFIC SYSTEM INSTALLATION INFORMATION.